

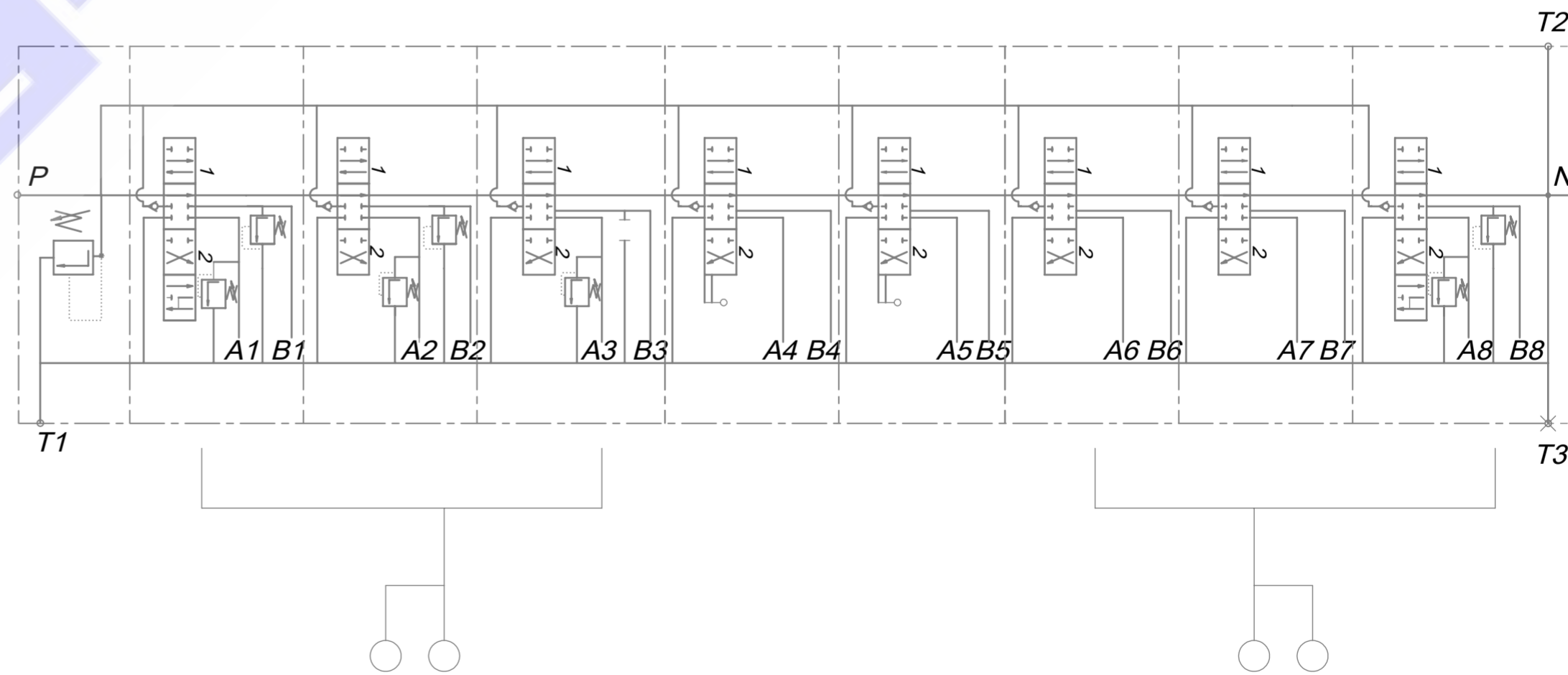
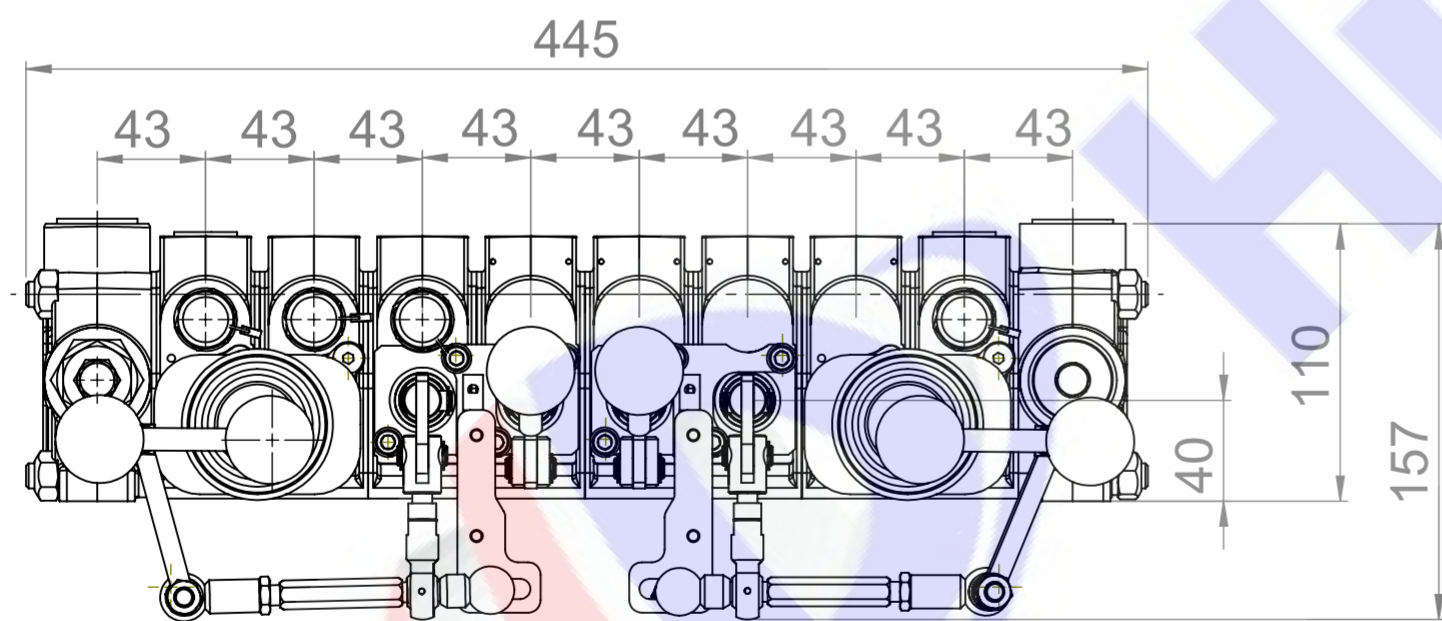
N2-G1/2
 ZC70 L12(AyBy)G
 ZC70 PA1(AyBy)G
 ZC70 PAV1c(AyBo) G
 ZC70 PAV1G-J
 ZC70 PAV1G-J
 ZC70 PAV1c G
 ZC70 PA1G
 ZC70 L12(AyBy)G
 T2-G1/2

js4+3

js4+3

Nominal flow rate: 70 l/min
 Operating pressures:
 @ port P - 250 bar
 @ port A, B - 300 bar
 @ port T - 50 bar

Port threads:
 Port P - BSP G 1/2"
 Port A, B - BSP G 1/2"
 Port T2 - BSP G 1/2"
 Port T1, T3 - BSP G 3/4"
 Port N - M26x1,5 (plugged by default)



ZC70 N2/{PL12(Ay175By175)PA1(Ay240By175)PAV1c(Ay80Bo)}{ju4+3}/PAV1/PAV1/{PAV1c/PA1/PA1/PL12(Ay200By200)}{ju4+3}/T2-G12-J

Order code: 4113310

	заповед	мащаб	лист	наименование
	размер	реvisions	№	
	A2	1:3	1 / 1	561.00.00.00-67