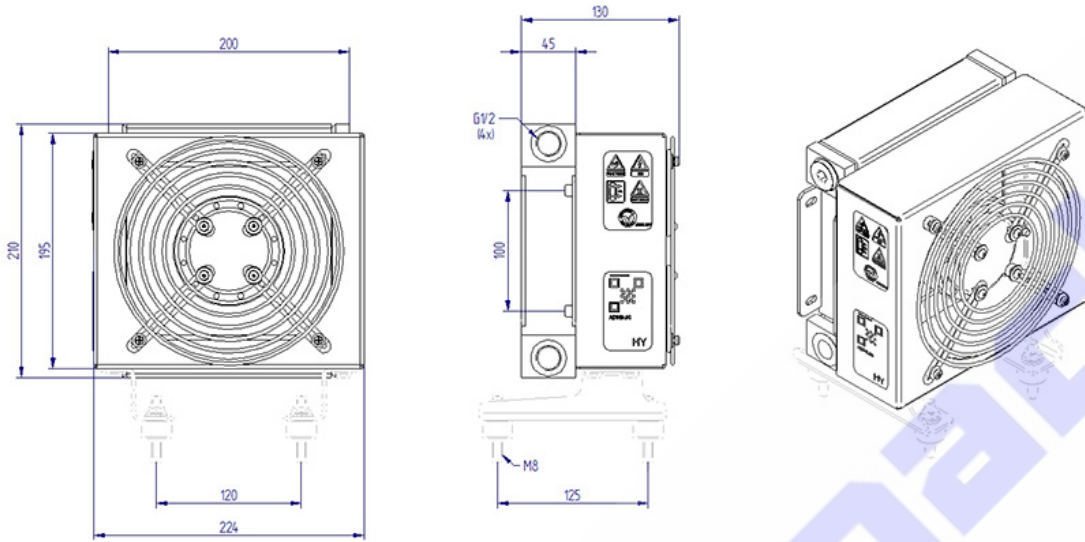


## HY series HY01001

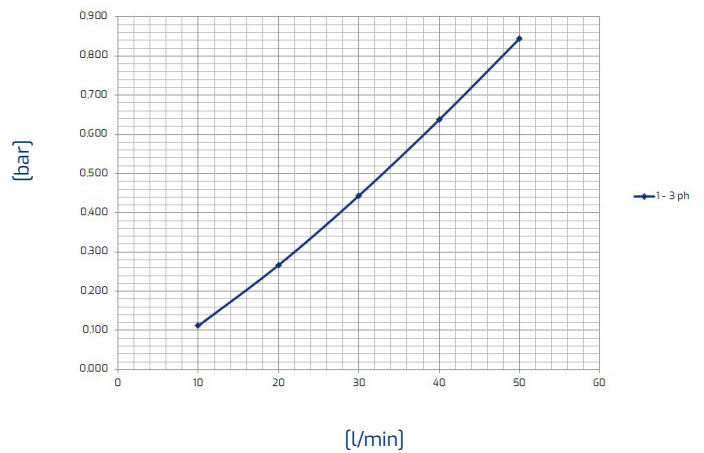
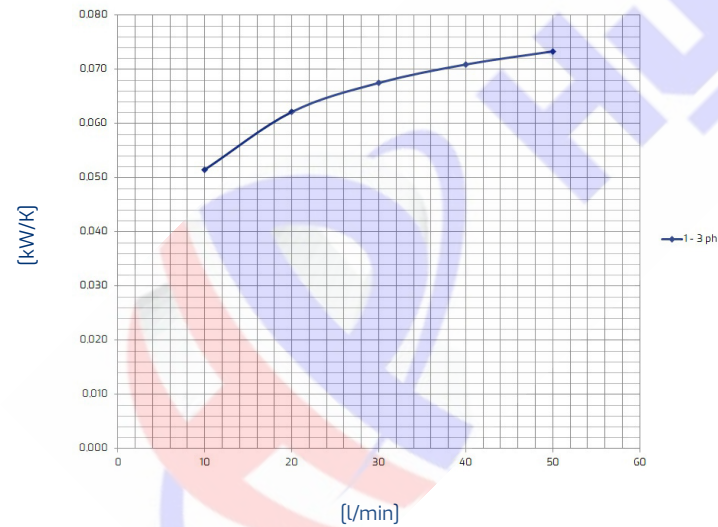


### Technical data

Item	Oil flow [l/min]	Capacity [l]	Weight [kg]	Rpm	Voltage [V]	Frequency [Hz]	Current absorption [A]	Power [W]	Ø Fan [mm]	Air flow [m³/h]	Noise level [db(A)]
<b>HY01001</b>	10-50	0,7	5		230	50/60	0,23	47	170	330	62
<b>HY01003</b>	10-50	0,7	5		230/400	50/60	0,12	44	170	340	59

### Performance

### Pressure drop



Oil T 80°C  
T Amb. 40°C

Viscosity - ISO VG 32 Oil					
Oil	22	32	46	68	150
Correction factor	0,8	1	1,2	1,6	3