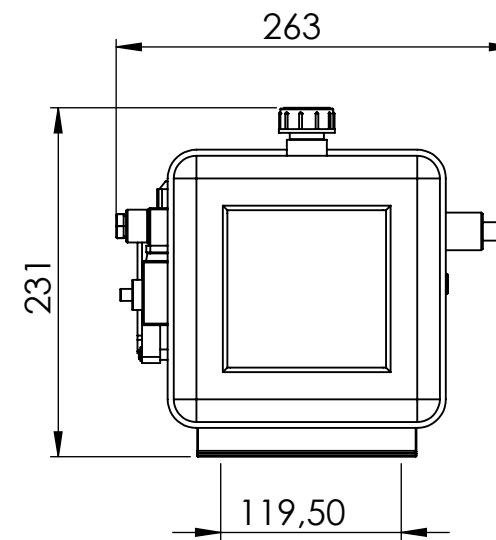
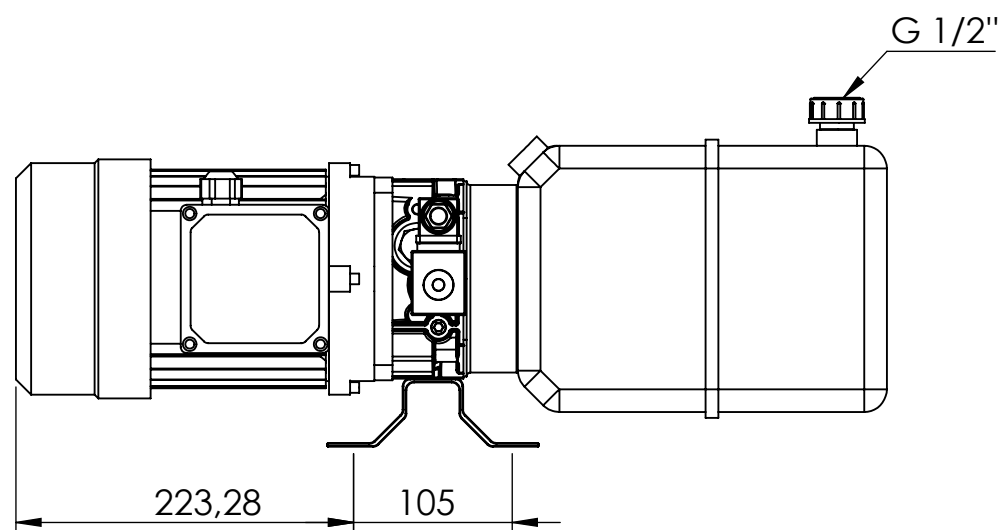
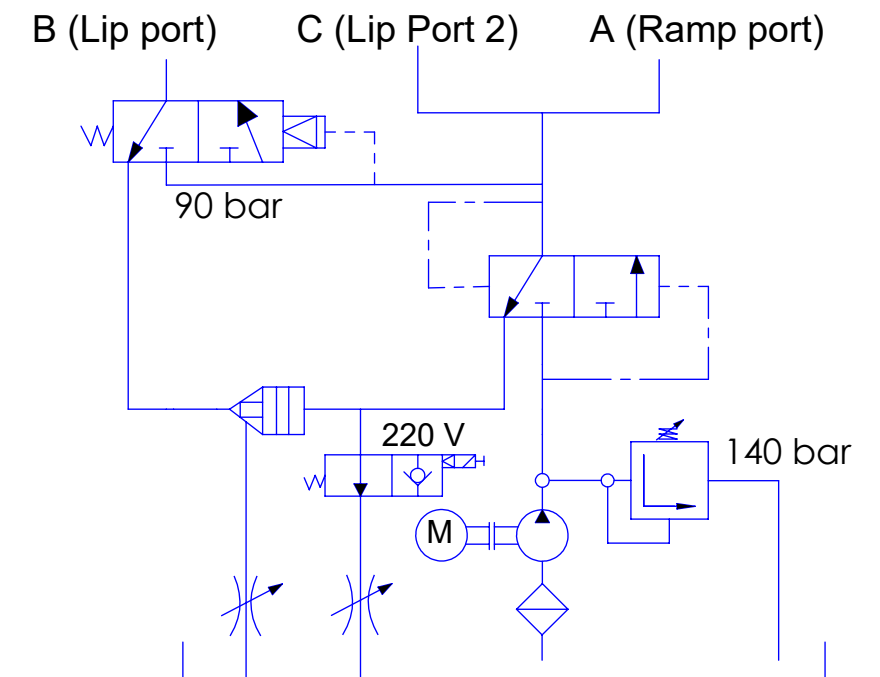
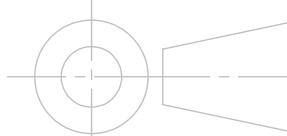


| PART NO. | PART NAME | QTY. |
|----------|---------------------|------|
| 1 | 10A2.7X302 | 1 |
| 2 | A-B 1/2" | 1 |
| 3 | Filter | 1 |
| 4 | P-NO-220 | 1 |
| 5 | SP-90-L | 1 |
| 6 | PCV Valve | 1 |
| 7 | Flow Control Valve | 2 |
| 8 | Sequence Valve | 1 |
| 9 | Logic Valve | 1 |
| 10 | HP-PRV-05-I | 1 |
| 11 | Connection plate-DL | 1 |
| 12 | AC3H-1.1-1500 | 1 |
| 13 | TPL06 | 1 |
| 15 | HP-DL | 1 |

Hydraulic Circuit
A, B, C = G 1/4"



| NOTES | | | MASS | DESIGNED BY | G.Yalvaç |
|----------------------------|-----------------------------------|-------------------------------|---------------------|---|------------|
| ELECTRIC MOTOR | PUMP | OIL TANK | MAX PRESSURE | CHECKED BY | H.Tarhan |
| POWER 1.1 kW | DISPLACEMENT 2.7 cc/rev | CAPACITY 6 liter | 145 bar | DATE | 16.01.2020 |
| VOLTAGE 380 V AC | | TYPE Square | | REVISION | |
| SPEED 1500 rpm | | ASSEMBLY Horizontal | | REVISION DATE | |
| FREQUENCY 50 Hz | | MATERIAL Plastic | |  | |



Sanayi Mah. İzmit Sanayi Sitesi 13. cad. İç Kapı No:54
İzmit/Kocaeli-TURKEY
Tel: +90 262 335 63 66 Fax: +90 262 335 63 70
www.hydropack.com.tr / info@hydropack.com.tr

DESCRIPTION

MINI POWERPACK

SCALE: 1:5

DIMENSIONS: mm

A3