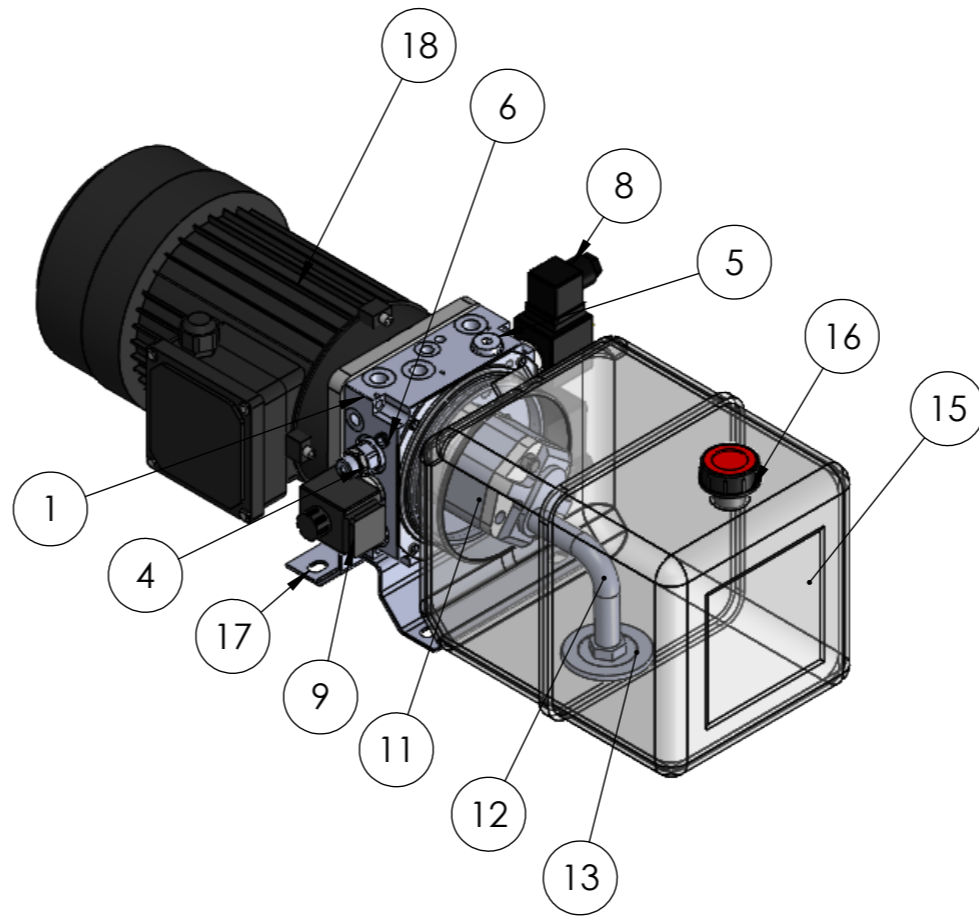
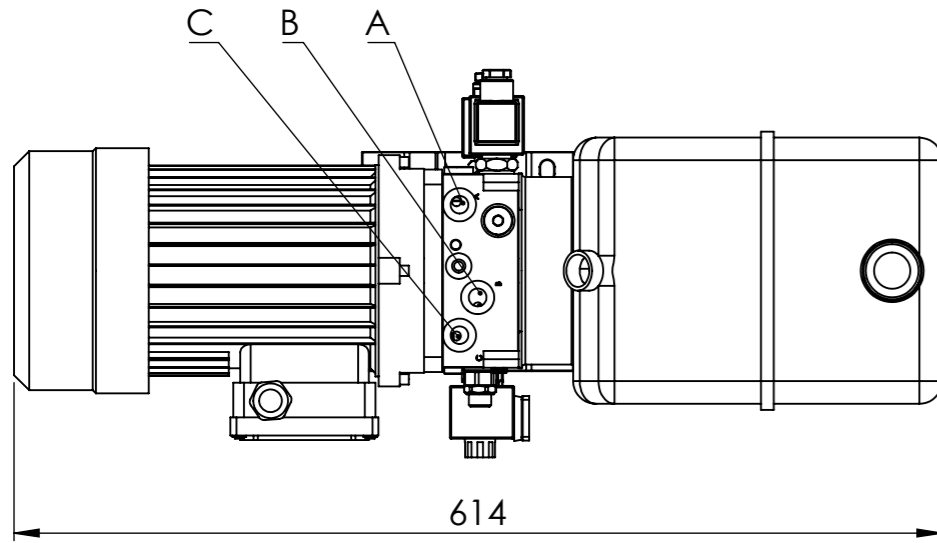
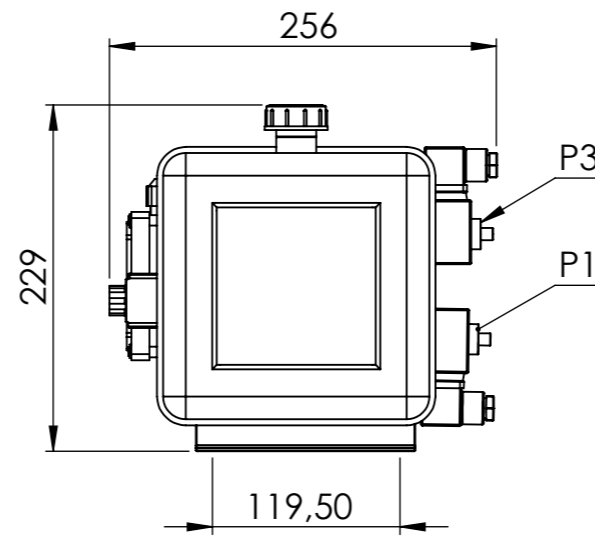
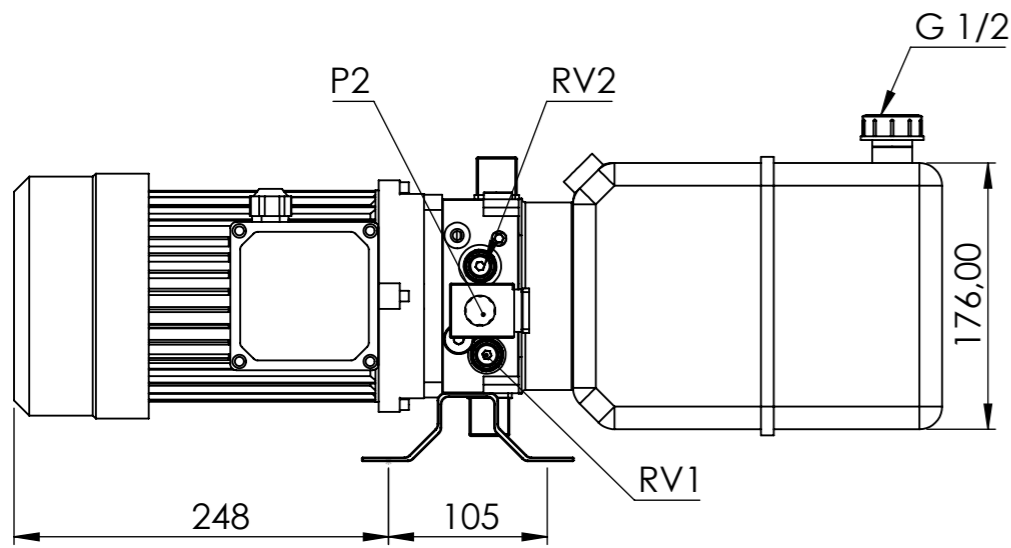


MINI POWER PACK FOR TELESCOPIC DOCK LEVELER



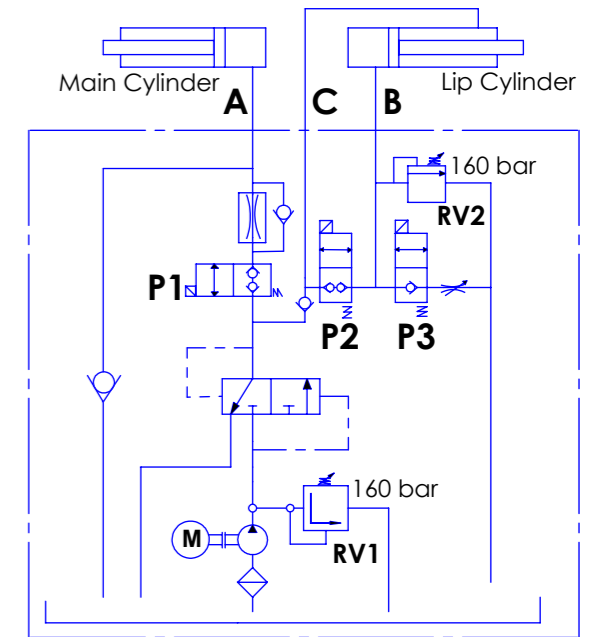
NO	Part No	QTY
1	HP-TDL	1
2	HP-CV	2
3	PCV	1
4	HP-PRV-05	2
6	HP-FCV	1
7	HP-PCFCV-02-I	1
8	P-NC-24 (KMP-24)	1
9	P-DNC	2
10	TDL coupling	1
11	10C1.8X302	1
12	SP-90-L	1
13	SF-60	1
15	TPL06	1
16	AB-1/2"	1
17	Connection plate	1
18	AC3H-1.5-2800	1



	M	P1	P2	P3
Main Cylinder Extend	X	X		
Main Cylinder Close		X		
Lip Cylinder Extend	X		X	
Lip Cylinder Close	X			X

M : Electric Motor
X : Energized

Hydraulic Circuit A,B,C: G 1/4"



NOTES			MASS	DESIGNED BY	E.Aktaş
ELECTRIC MOTOR	PUMP	OIL TANK	MAX PRESSURE	CHECKED BY	G.Yalvaç
POWER 1.5 kW	DISPLACEMENT 1.8 cc/rev	CAPACITY 6 liter	160 bar	DATE	02.10.2020
VOLTAGE 380V		TYPE Square		REVISION	
SPEED 2800 rpm		ASSEMBLY Horizontal		REVISION DATE	
FREQUENCY 50 Hz.		MATERIAL Plastic			



Sanayi Mah. İzmit Sanayi Sitesi 13. cad. İç Kapı No:54
İzmit/Kocaeli-TURKEY
Tel: +90 262 335 63 66 Fax: +90 262 335 63 70
www.hydropack.com.tr / info@hydropack.com.tr

DESCRIPTION

MINI POWERPACK

SCALE:

DIMENSIONS: mm

A3